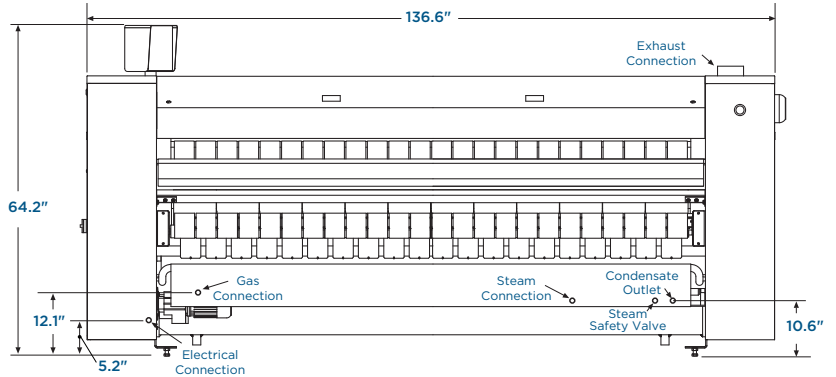


X20100

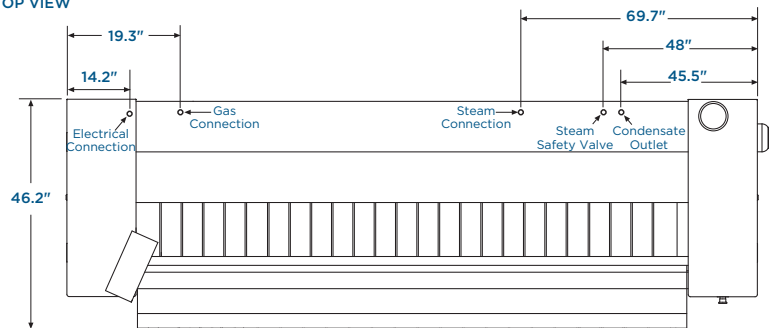
EXPRESS HEATED-ROLL IRONER

PRODUCT SPECS			
Cylinder Diameter	inch		20.1
Usable Cylinder Width	inch		99.6
Evaporation Capability	gal/h		
Gas/Electric			10.57
Steam			14.79
Ironing Speed	ft/min		4-49
Net Weight	lbs		
Gas/Electric	without folder		2788
	with folder		3069
Steam	without folder		3031
	with folder		3312
Crated Weight	lbs		
Gas/Electric	without folder		3439
	with folder		3775
Steam	without folder		3681
	with folder		4017
Machine Width	inch		136.6
Machine Depth	inch		46.2
Machine Height	inch		64.2
Feed Height	inch		40.6
Shipping Dimensions (WxDxH)	inch		
	without folder		142.1 x 45.5 x 71.9
	with folder		142.1 x 50.6 x 71.9
Motor Power	Hp		
Roller Motor			0.40
Extraction Motor			0.74
Exhaust Diameter	inch		5.1
Exhaust Air Flow	cfm		
Gas			564
Electric/Steam			634
Electric Heating	kW		
208/60/3			37.06
240/60/3			49.34
Gas Connection	inch		3/4 NPT
Gas Heating	BTU/h		
Natural			208,823
Propane			201,999
Gas Consumption	cfm		
Natural			3.81
Propane			9.95
Gas Pressure Operating Manifold	inch wc		
Natural			7
Propane			11
Steam Connection	inch		1
Steam Condensate Outlet	inch		3/4 (19)
Steam Heating	BTU/h		221,789
Steam Consumption	lbs/h		254
Steam Pressure	PSI		116
Safety Valve Connection	inch		1
Circuit Protection	Amps		
Gas/Steam	208-240/60/1		10
Electric	208/60/3		160
	240/60/3		160
Full Load	Amps		
Gas/Steam	208-240/60/1		6.1
Electric	208/60/3		109
	240/60/3		125

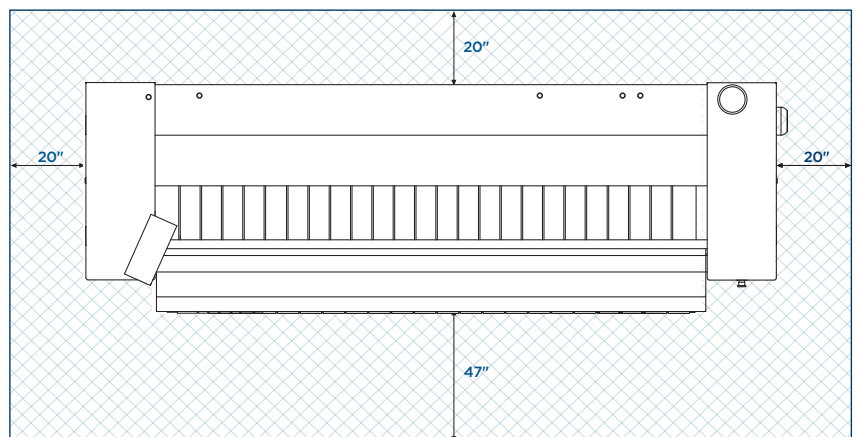
FRONT VIEW



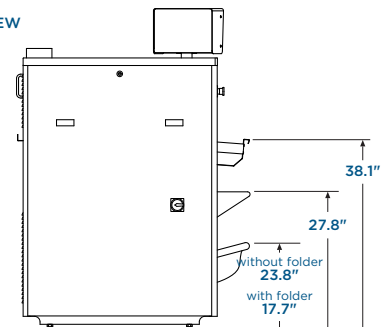
TOP VIEW



AREA NEEDED FOR SERVICE



SIDE VIEW



* Specifications subject to change without notice or obligation. Contact Continental Girbau at (800) 256-1073 for dimensions not shown or for clarification.