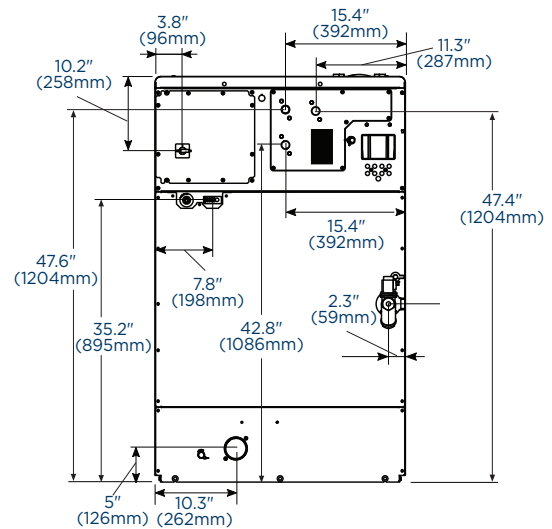
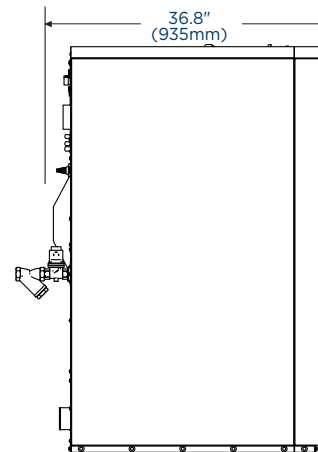
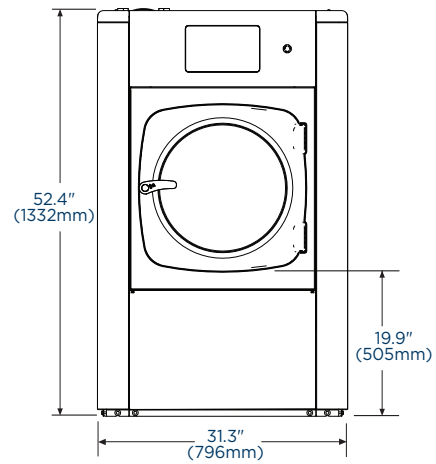


GS030

GENIUS SERIES SOFT-MOUNT WASHER-EXTRACTOR

ARCHITECTURAL/MECHANICAL
PRODUCT SPECIFICATIONS

Capacity <i>lbs</i>	30
Cylinder Diameter <i>inch</i>	24.4
Cylinder Depth <i>inch</i>	16.4
Cylinder Volume <i>cu ft</i>	4.4
Net Weight <i>lbs</i>	697
Crated Weight <i>lbs</i>	745
Machine Dimensions <i>inch</i> WxDxH	31.3 x 36.8 x 52.4
Door Opening <i>inch</i>	14.8
Floor to Door <i>inch</i>	19.9
Shipping Dimensions <i>inch</i> WxDxH	33.9 x 38.6 x 58.3
Washing Speed <i>rpm</i>	48
Spin Speeds <i>rpm</i>	1138
G-force	450
Static Force Transmitted <i>lbs</i>	835
Dynamic Force Transmitted <i>lbs</i>	254
Frequency of Dynamic Force <i>Hz</i>	17.9
Available Voltages/Wire Conductor/Amp	
Hot Water	208-240/60/1, 2W+G, 15
Electric Auxiliary Heat	208-240/60/3, 3W+G, 40
Drain Diameter <i>inch</i>	3
Water Inlets <i>inch</i>	3/4
Recommended Water Pressure <i>PSI</i>	29-87
Water Flow <i>gal/min</i>	16
Total Power <i>kW</i>	1.0



* Specifications subject to change without notice or obligation. Contact Continental Girbau at (800) 256-1073 for dimensions not shown or for clarification.

continentalgirbau.com • (800) 256-1073
2500 State Road 44 • Oshkosh, WI 54904

