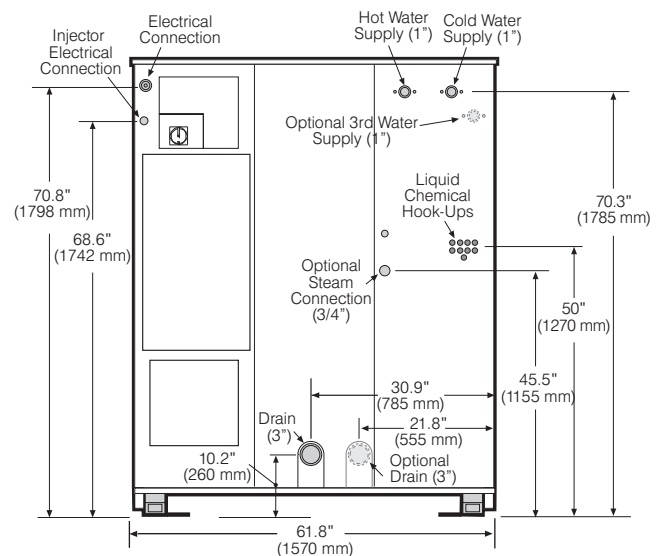
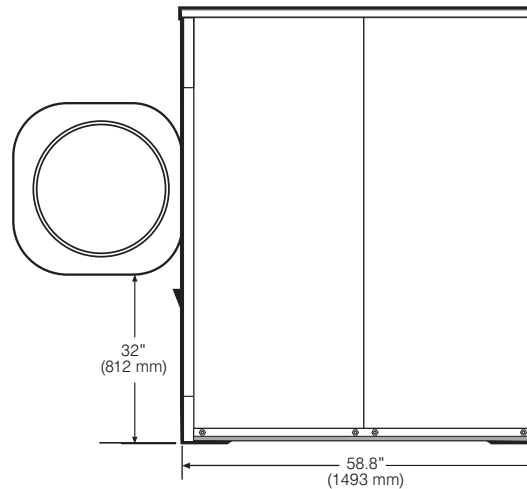
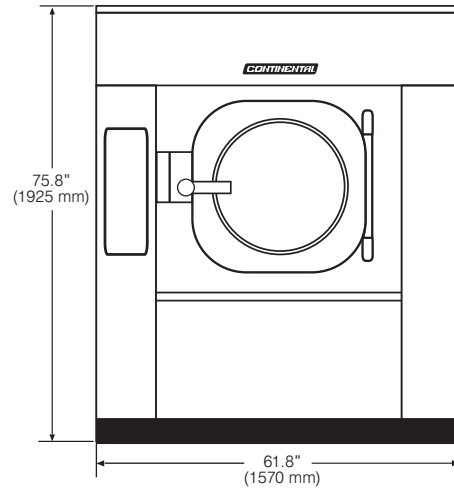


EH130

VENDED EXPRESSWASH SOFT-MOUNT WASHER-EXTRACTOR

PRODUCT SPECS	
Capacity <i>lbs</i>	130
Cylinder Diameter <i>inch</i>	42.5
Cylinder Depth <i>inch</i>	24.4
Cylinder Volume <i>cu ft</i>	20.1
Net Weight <i>lbs</i>	4260
Crated Weight <i>lbs</i>	4636
Machine Dimensions <i>inch</i> WxDxH	61.8 x 58.8 x 75.8
Door Opening <i>inch</i>	22
Floor to Door <i>inch</i>	32
Shipping Dimensions <i>inch</i> WxDxH	66.5 x 64.8 x 85
Washing Speed <i>rpm</i>	13/18/24/30/36
Spin Speeds <i>rpm</i>	72/300/450/625/800
G-force	3.13/54/122/236/387
Static Force Transmitted <i>lbs</i>	4888
Dynamic Force Transmitted <i>lbs</i>	692
Frequency of Dynamic Force <i>Hz</i>	13.3
Available Voltages/Wire Conductor/Amp	
Hot Water (standard)	208-240/60/3, 3W+G, 25
Hot Water (standard)	440-480/60/3, 3W+G, 16
Electric Auxiliary Heat (optional)	208/60/3, 3W+G, 100
Electric Auxiliary Heat (optional)	240/60/3, 3W+G, 125
Drain Diameter <i>inch</i>	3
Water Inlets <i>inch</i>	2 @ 1
Recommended Water Pressure <i>PSI</i>	30-60
Water Flow <i>gal/min</i>	26
Total Power <i>kW</i>	7.3
Electrical Heating Power (optional) <i>kW</i>	
208/60/3	27.9
240/60/3	35.8



* Specifications subject to change without notice or obligation. Contact Continental Girbau at (800) 256-1073 for dimensions not shown or for clarification.