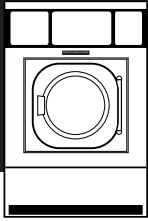




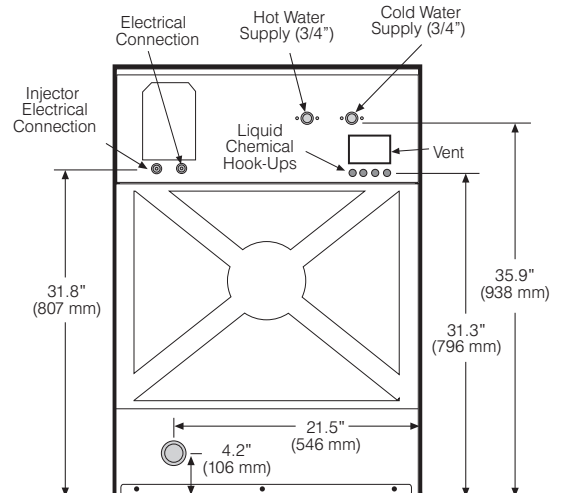
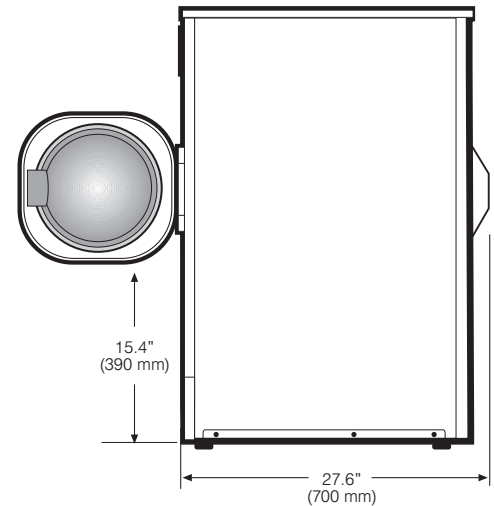
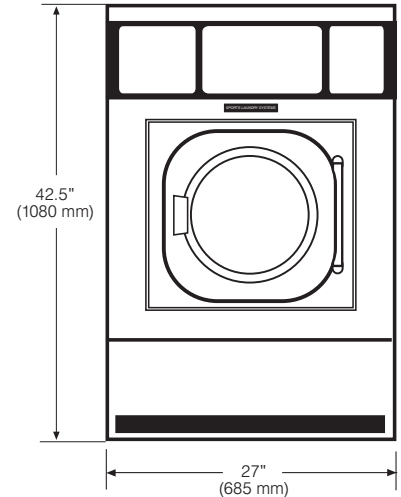
2500 Slate Road 44 • Oshkosh, WI 54904
 920.231.8222 • FAX 920.231.4666
www.sportslaundrysystems.com



EH020

SPORTS LAUNDRY SYSTEMS 20-POUND CAPACITY
 HIGH-PERFORMANCE WASHER-EXTRACTOR

Capacity <i>lbs (kg)</i>	20 (8)
Cylinder Diameter <i>inch (mm)</i>	21.1 (536)
Cylinder Depth <i>inch (mm)</i>	13.8 (351)
Cylinder Volume <i>cu ft (dm³)</i>	2.8 (79.2)
Net Weight <i>lbs (kg)</i>	279 (127)
Crated Weight <i>lbs (kg)</i>	301 (137)
Machine Width <i>inch (mm)</i>	27 (685)
Machine Depth <i>inch (mm)</i>	27.6 (700)
Machine Height <i>inch (mm)</i>	42.5 (1080)
Door Opening <i>inch (mm)</i>	12.7 (322)
Floor to Door <i>inch (mm)</i>	15.4 (390)
Shipping Dimensions <i>inch (mm)</i> (WxDxH)	28.3 x 29.1 x 47.7 (720 x 740 x 1212)
Washing Speed <i>rpm</i>	50
Spin Speeds <i>rpm</i>	50/100/580/690/780/970
G-force	0.75/3/101/143/183/300
Static Force Transmitted <i>lbs (kg)</i>	340 (154)
Dynamic Force Transmitted <i>lbs (kg)</i>	115 (52)
Frequency of Dynamic Force <i>Hz</i>	16.2
Available Voltages/Wire Conductor/Amp	
Hot Water (standard)	120/60/1, 3-prong cord, 15 Amp
Hot Water (standard)	208-240/60/1, 2W + G, 5 Amp
Electric Auxiliary Heat (optional)	208-240/60/1, 2W + G, 20 Amp
Electric Auxiliary Heat (optional)	208-240/60/3, 3W + G, 20 Amp
Modified Energy Factor (MEF)*	2.21
Water Consumption Factor (WCF)*	5.03
Drain Diameter <i>inch (mm)</i>	
Pump Drain	1 (25.4)
Gravity Drain	2 (51)
Water Inlets <i>inch (mm)</i>	3/4 (19)
Recommended Water Pressure <i>PSI (bar)</i>	30-60 (2-4)
Water Flow <i>gal/min (l/min)</i>	8 (30)
Motor Power <i>kW</i>	0.8
Electric Heating Power (optional) <i>kW</i>	4.3



* Modified Energy Factor (MEF) measured in cubic feet per kilowatt-hour per cycle. Water Consumption Factor (WCF) measured in gallons per cycle per cubic feet. MEF and WCF statistics are according to DOE test results report by Intertek, an independent testing laboratory, dated February 27, 2007.

** Specifications subject to change without notice or obligation. Call Sports Laundry Systems for dimensions not shown or for clarification.