

CG25-35+

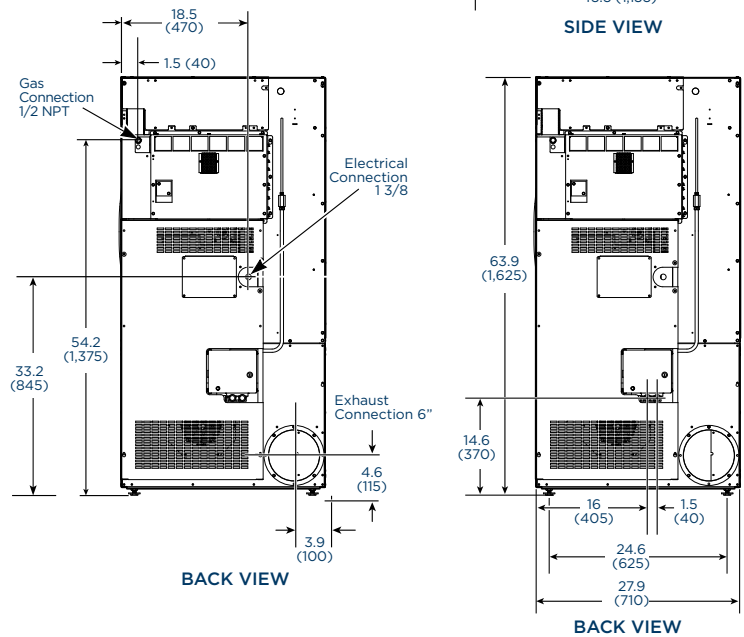
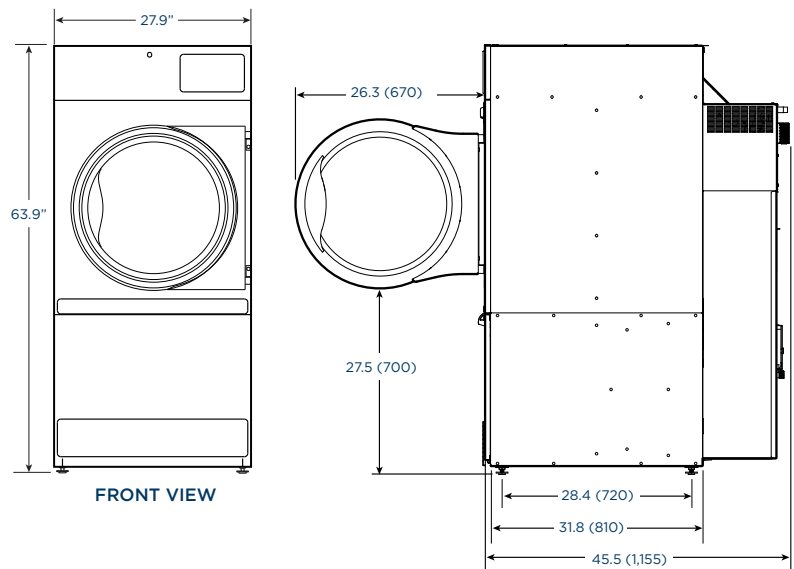
PRODRY2+ DRYING TUMBLER

ARCHITECTURAL/MECHANICAL
PRODUCT SPECIFICATIONS

ProDry2+

Inverter Drive

Capacity <i>lbs</i>	up to 30
Cylinder Diameter <i>inch</i>	26.5
Cylinder Depth <i>inch</i>	30
Cylinder Volume <i>cu ft</i>	9.6
Net Weight <i>lbs</i>	340
Crated Weight <i>lbs</i>	375
Machine Width <i>inch</i>	27.9
Machine Depth <i>inch</i>	45.5
Machine Height <i>inch</i>	63.9
Door Opening <i>inch</i>	22.7
Floor to Door <i>inch</i>	27.5
Shipping Dimensions <i>inch</i> WxDxH	30 x 49 x 67.6
Exhaust Diameter <i>inch</i>	6
Exhaust Air Flow <i>cfm</i>	500
Exhaust Back Pressure (max) <i>WCI</i>	0.80
Required Makeup Air <i>sq in</i>	110
Electric Heating <i>kW</i>	21
Gas Connection <i>inch</i>	1/2 NPT
Gas Heating <i>BTU/h</i>	73,000
Gas Pressure (max/recommended/min) Natural Gas <i>wc</i> Propane <i>wc</i>	10.5 / 6.5 / 5 13 / 11 / 10



GAS MODELS

AVAILABLE VOLTAGES	WIRE CONDUCTOR	FULL LOAD AMPS	RECOMMENDED BREAKER SIZE
100-120/50-60/1	1W+N+G	10	15
200-240/50-60/1	2W+G	6	15
380-415/50-60/3	3W+G	3	15
440-480/50-60/3	3W+G	3	15

ELECTRIC MODELS

AVAILABLE VOLTAGES	WIRE CONDUCTOR	FULL LOAD AMPS	RECOMMENDED BREAKER SIZE
230-240/50-60/3	3W+G	52	70
460-480/50-60/3	3W+G	27	35

* Specifications subject to change without notice or obligation.
Contact Continental Girbau at (800) 256-1073 for dimensions not shown or for clarification.

continentalgirbau.com • (800) 256-1073
2500 State Road 44 • Oshkosh, WI 54904

CONTINENTAL
GIRBAU®